

Model SBS-10-EX

Exotic Alloy Pipeline Simplex Basket Strainer



- Hastelloy, Monel, Titanium, or Alloy 20 (Stainless Steel model can also be purchased here)
- 1/2"-3" with 150#, 300#, 600# ANSI Flanges)
- Stainless Steel perf or mesh
- Pressures to 4000 PSI (272 Bar); temp to 550 °F (288 °C)

Features

- **Body:** Standard materials are Hastelloy, Monel, Titanium, or Alloy 20.
- **Heavy-duty basket** constructed of stainless steel perf and additional wire mesh when requested.
- **Perf:** Available from .020" to 3/16" openings (stainless steel only).
- **Mesh:** As small as .001" openings. 25 micron (#500 mesh) material available in 316 stainless steel and, when available, Alloy 20, Hastelloy, Titanium and Monel.
- **Seal:** Standard seals are Buna and Viton O-ring. Other elastomers and seal types are available for higher temperatures and pressures.
- **Parallel ports:** NPT connections are standard. Special connections including ANSI flanges with various pressure ratings are also available. Bottom through flow port is available, but must be quoted.

Applications

This heavy-duty strainer can be used for liquids, steam, and gases for operating pressures up to 4000 PSI and temperatures up to 600 °F (for metal strainers and with special seals). It is used to protect various pipeline components such as pressure-reducing valves, relief valves, etc. that require clean, filtered, or strained liquids to keep these devices operational. The strainer basket element is constructed of a heavy duty stainless perf element with opening sizes from .020" up to 3/16", and when required, an additional stainless steel wire mesh can be added to screen out fine particles down to .001". Note that the overall length is not specified on the illustration as this is determined once the net open percent area is calculated from the perf or wire mesh size.

Although not illustrated, the strainer body can also be made available with ANSI RF flanges for various pressure ratings.

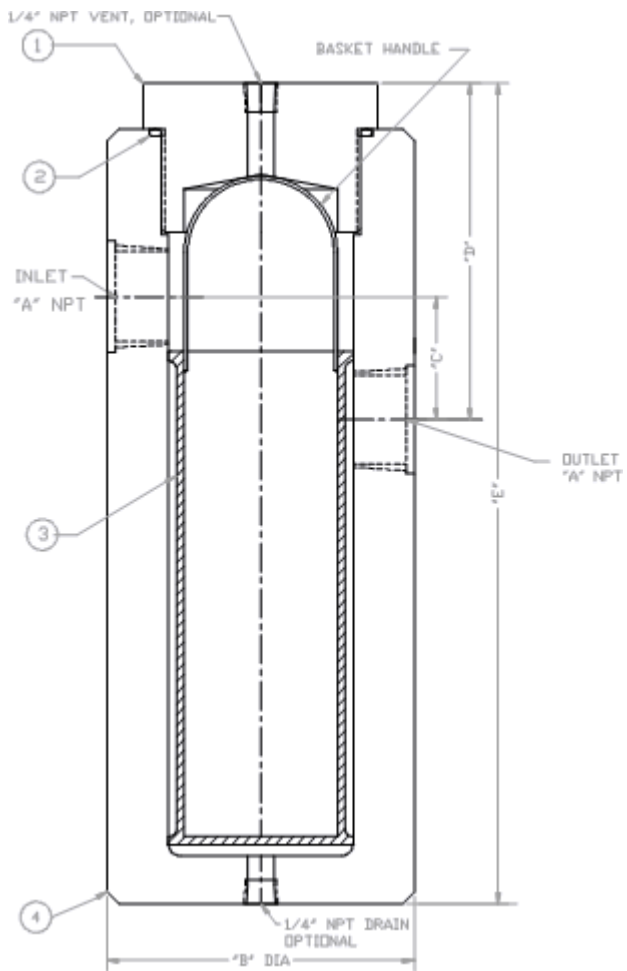
Since this type of construction is usually suited for high-pressure service, the cover is a threaded plug type design which can be easily removed with an adjustable or pipe wrench. Where a quick-opening type cover is required for lower pressures to 150 PSI, our model SBV-05 is available with a quick-opening stainless steel V-band clamp. This model is available only in stainless steel.

When requested an optional pressure gauge or drain connection can be provided for the SBS-10 strainer model.

Options

See pricing pages for ordering various material options, including an optional vent or gauge port and drain.

Instead of the standard side outlet, a bottom outlet is also available, but requires a special body and must be quoted.



SBS-10

Material List and Specification

#	Item	Materials
1.	*Cover	Steel or Stainless steel
2.	†Seal	Buna, Viton, Epdm or PTFE
3.	‡Basket	Stainless steel
4.	*Body	Steel or Stainless steel

Notes

- * Alternate materials: carbon steel, Monel, Hastelloy
- † Alternate elastomers: Buna, EPDM, Teflon, Parfluor, Kalrez
- ‡ Basket: Specify wire mesh or perf size

Dimension "E" to suit specific application.
 Specify net open basket area or volumetric basket capacity.

Dimensions (These may vary for custom alloys and plastics)

Size A (NPT)	B	C	D
1/2	3	1-1/4	3 1/2
3/4	3	1-1/4	3-1/2
1	4	1-3/4	4-3/4
1-1/4	4-1/2	1-3/4	5-1/4
1-1/2	4-1/2	1-1/4	5-1/2
2	6	2-1/2	6-1/4

Note: Dimensions are approximate and are subject to change without notice. Request certified dimensions before final product installation.

1/2" SBS10-05T-EX

Strainers with Mesh Baskets: Body 600# psi Rating (41.3 bar)

Particle sizes from:0.001-0.045 in (0.0254-1.143 mm)

Strainers with Perf Baskets: Body 600# psi Rating (41.3bar)

Particle sizes from:0.062-0.125 in (1.575-3.175 mm)

Strainers with Mesh Baskets: Body 3000# psi Rating (207 bar)

Particle sizes from:0.001-0.045 in (0.0254-1.143 mm)

Strainers with Perf Baskets: Body 3000# psi Rating (207 bar)

Particle sizes from:0.062-0.125 in (1.575-3.175 mm)

3/4" SBS10-07T-EX

Strainers with Mesh Baskets: Body 600# psi Rating (41.3 bar)

Particle sizes from:0.001-0.045 in (0.0254-1.143 mm)

Strainers with Perf Baskets: Body 600# psi Rating (41.3bar)

Particle sizes from:0.062-0.125 in (1.575-3.175 mm)

Strainers with Mesh Baskets: Body 3000# psi Rating (207 bar)

Particle sizes from:0.001-0.045 in (0.0254-1.143 mm)

Strainers with Perf Baskets: Body 3000# psi Rating (207 bar)

Particle sizes from:0.062-0.125 in (1.575-3.175 mm)

1" SBS10-10T-EX

Strainers with Mesh Baskets: Body 600# psi Rating (41.3 bar)

Particle sizes from:0.001-0.045 in (0.0254-1.143 mm)

Strainers with Perf Baskets: Body 600# psi Rating (41.3bar)

Particle sizes from:0.062-0.125 in (1.575-3.175 mm)

Strainers with Mesh Baskets: Body 3000# psi Rating (207 bar)

Particle sizes from:0.001-0.045 in (0.0254-1.143 mm)

Strainers with Perf Baskets: Body 3000# psi Rating (207 bar)

Particle sizes from:0.062-0.125 in (1.575-3.175 mm)

1 1/4" SBS10-12T-EX

Strainers with Mesh Baskets: Body 600# psi Rating (41.3 bar)

Particle sizes from:0.001-0.045 in (0.0254-1.143 mm)

Strainers with Perf Baskets: Body 600# psi Rating (41.3bar)

Particle sizes from:0.062-0.125 in (1.575-3.175 mm)

Strainers with Mesh Baskets: Body 3000# psi Rating (207 bar)

Particle sizes from:0.001-0.045 in (0.0254-1.143 mm)

Strainers with Perf Baskets: Body 3000# psi Rating (207 bar)

Particle sizes from:0.062-0.125 in (1.575-3.175 mm)

1 1/2" SBS10-15T-EX

Strainers with Mesh Baskets: Body 600# psi Rating (41.3 bar)

Particle sizes from:0.001-0.045 in (0.0254-1.143 mm)

Strainers with Perf Baskets: Body 600# psi Rating (41.3bar)

Particle sizes from:0.062-0.125 in (1.575-3.175 mm)

Strainers with Mesh Baskets: Body 3000# psi Rating (207 bar)

Particle sizes from:0.001-0.045 in (0.0254-1.143 mm)

Strainers with Perf Baskets: Body 3000# psi Rating (207 bar)

Particle sizes from:0.062-0.125 in (1.575-3.175 mm)

2" SBS10-20T-EX

Strainers with Mesh Baskets: Body 600# psi Rating (41.3 bar)

Particle sizes from:0.001-0.045 in (0.0254-1.143 mm)

Strainers with Perf Baskets: Body 600# psi Rating (41.3bar)

Particle sizes from:0.062-0.125 in (1.575-3.175 mm)

Strainers with Mesh Baskets: Body 3000# psi Rating (207 bar)

Particle sizes from:0.001-0.045 in (0.0254-1.143 mm)

Strainers with Perf Baskets: Body 3000# psi Rating (207 bar)

Particle sizes from:0.062-0.125 in (1.575-3.175 mm)

2 1/2" SBS10-25T-EX

Npt Strainers with Mesh Baskets: Body 600# psi Rating (41.3 bar)

Particle sizes from:0.001-0.045 in (0.0254-1.143 mm)

Npt Strainers with Perf Baskets: Body 600# psi Rating (41.3bar)

Particle sizes from:0.062-0.125 in (1.575-3.175 mm)

Npt Strainers with Mesh Baskets: Body 3000# psi Rating (207 bar)

Particle sizes from:0.001-0.045 in (0.0254-1.143 mm)

Npt Strainers with Perf Baskets: Body 3000# psi Rating (207 bar)

Particle sizes from:0.062-0.125 in (1.575-3.175 mm)

3" SBS10-30T-EX

Npt Strainers with Mesh Baskets: Body 600# psi Rating (41.3 bar)

Particle sizes from:0.001-0.045 in (0.0254-1.143 mm)

Npt Strainers with Perf Baskets: Body 600# psi Rating (41.3bar)

Particle sizes from:0.062-0.125 in (1.575-3.175 mm)

Npt Strainers with Mesh Baskets: Body 3000# psi Rating (207 bar)

Particle sizes from:0.001-0.045 in (0.0254-1.143 mm)

Npt Strainers with Perf Baskets: Body 3000# psi Rating (207 bar)

Particle sizes from:0.062-0.125 in (1.575-3.175 mm)

Select a specific particle size in the pricing pages from either the Perf or Mesh groups.